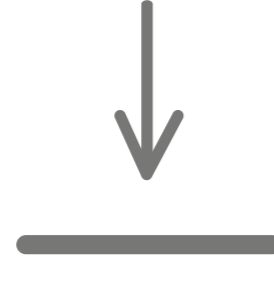
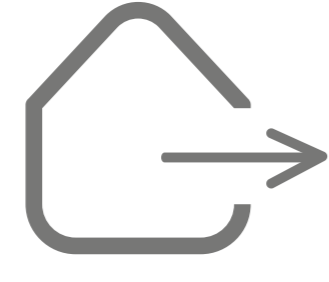


INSTALLATION MANUAL

67470A

LED
BUILT IN



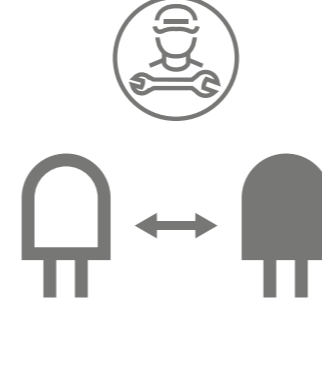
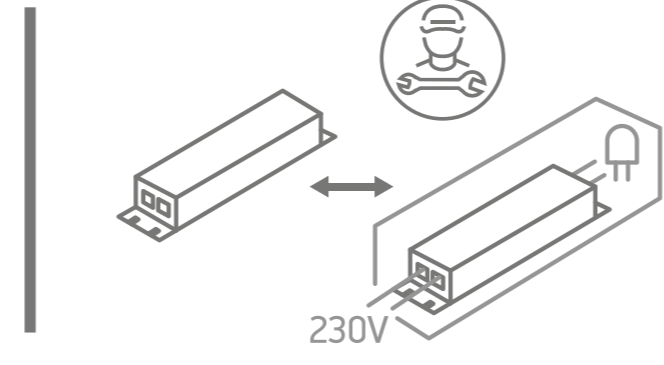
CE EAC UK CA

RoHS
COMPLIANT

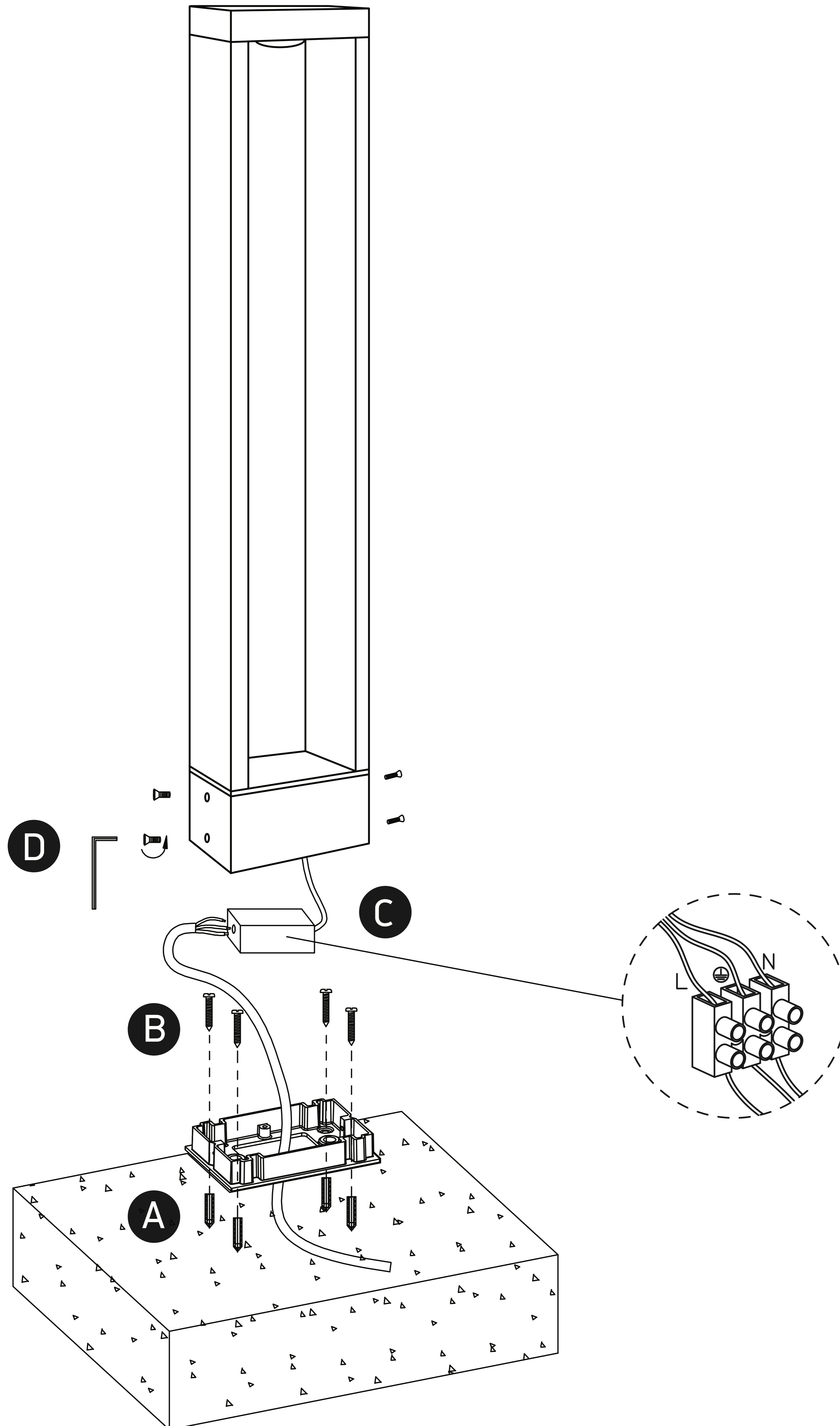
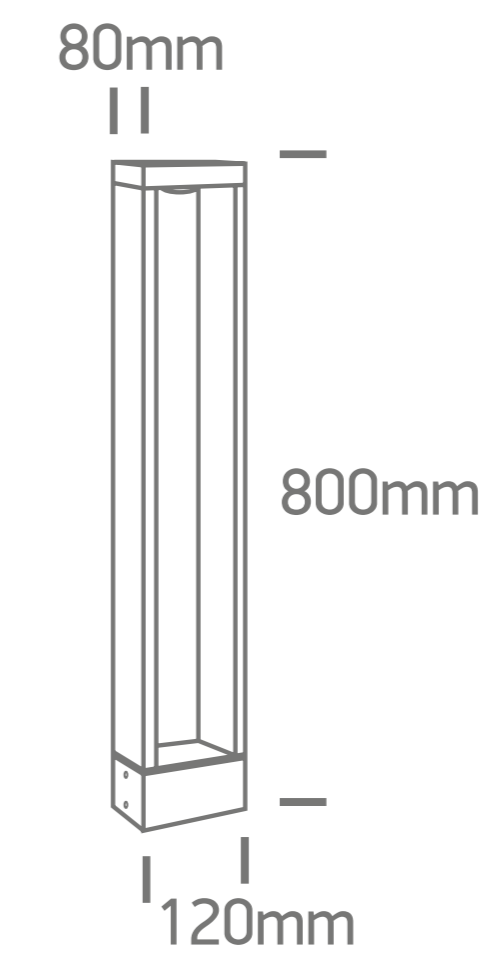


NOT
DIMMABLE

230V | LED | 10W | IP65 | Die cast
Complete with 250mA driver.



80
CRI



Warnings:

1. Make sure that the product is installed properly before connecting to electricity.
2. Do not cover the fitting.
3. Maintenance and installation should only be carried out by a professional electrician.