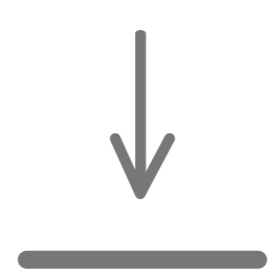
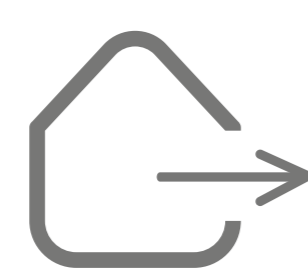


# INSTALLATION MANUAL

67508A

LED  
BUILT IN



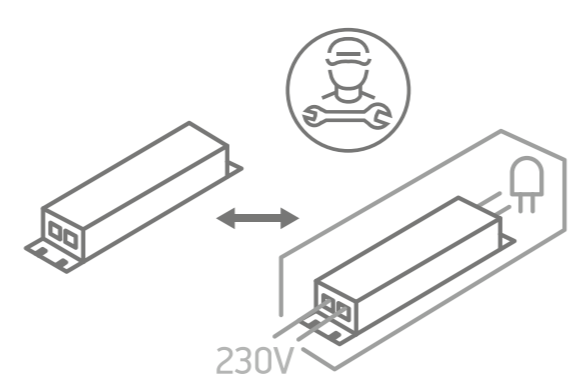
CE EAC UK CA

RoHS  
COMPLIANT

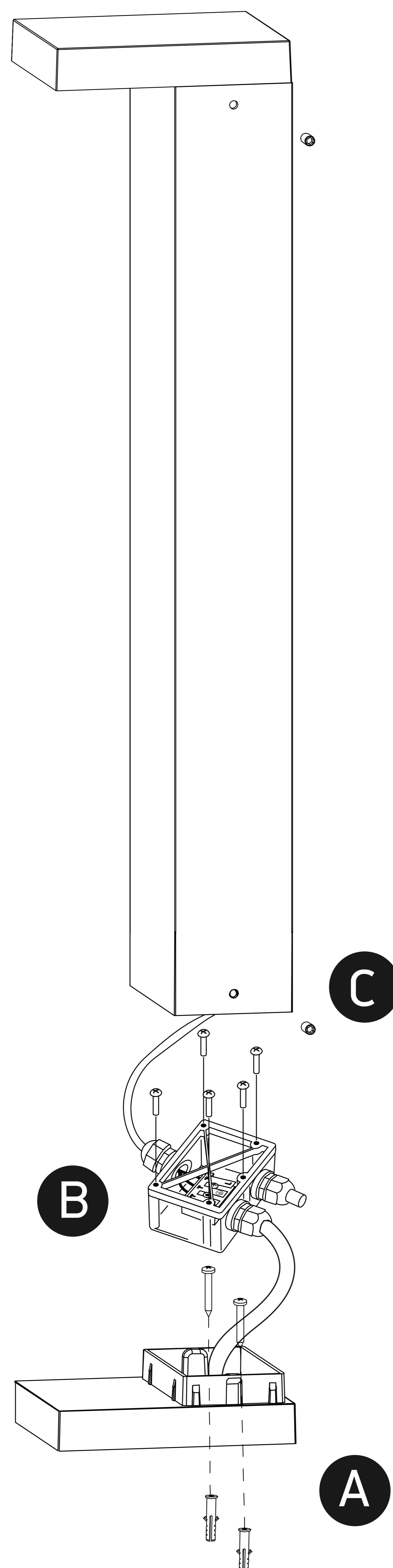
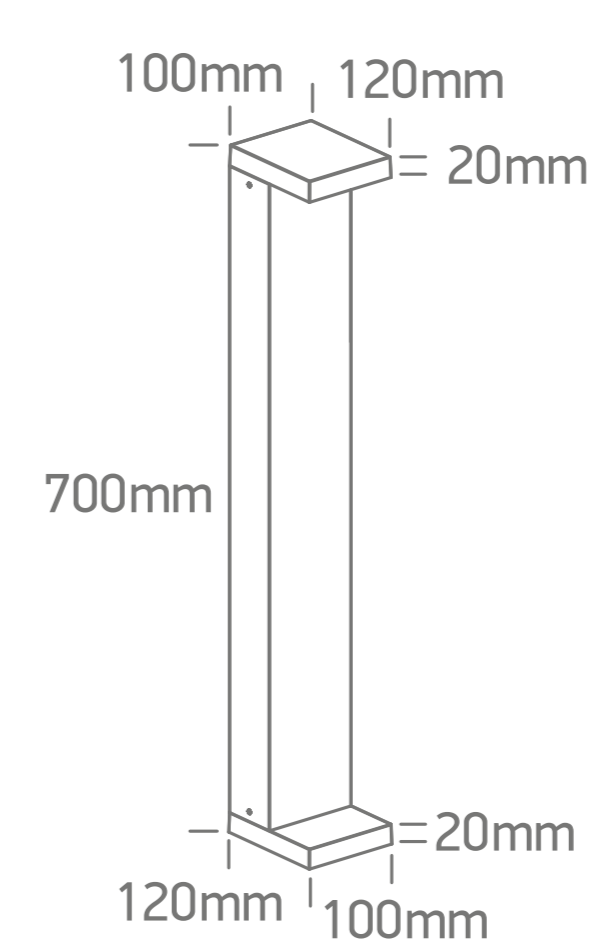


NOT  
DIMMABLE

230V | SMD 2835 | 8W | IP65 | Die cast  
Complete with 500mA driver.



80  
CRI



## Warnings:

1. Make sure that the product is installed properly before connecting to electricity.
2. Do not cover the fitting.
3. Maintenance and installation should only be carried out by a professional electrician.